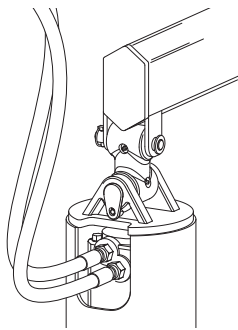
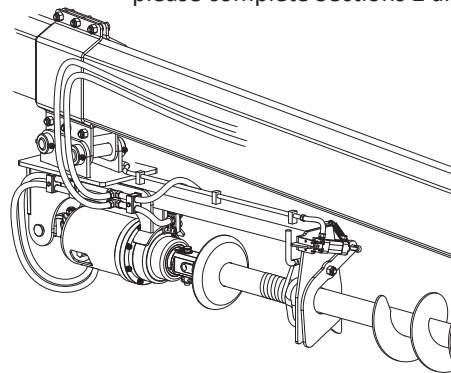


Company:		Phone Number:	
Country:		Mobile Number:	
Contact:		Fax:	
Contact Email Address:			
Additional Information:			

For end extension mounting type
 please complete Section 1



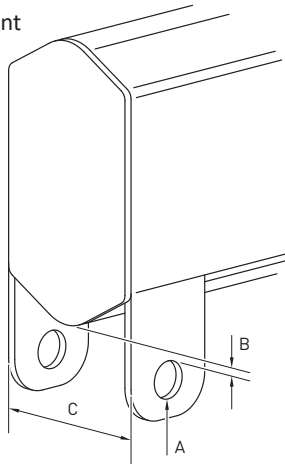
For rope wind hitch attachment
 please complete Sections 2 and 3



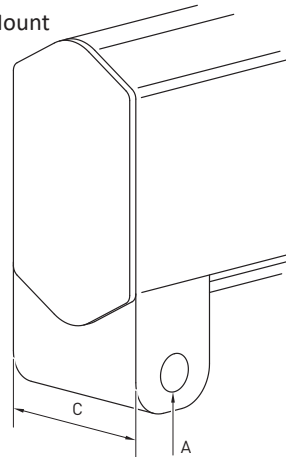
SECTION 1

FINAL BOOM EXTENSION – MOUNTING TYPE

Clevis Mount



Block Mount



Mounting Type:		A - Pin Hole Diameter:	
B - Pin Hole Clearance:		C - Pin Width:	

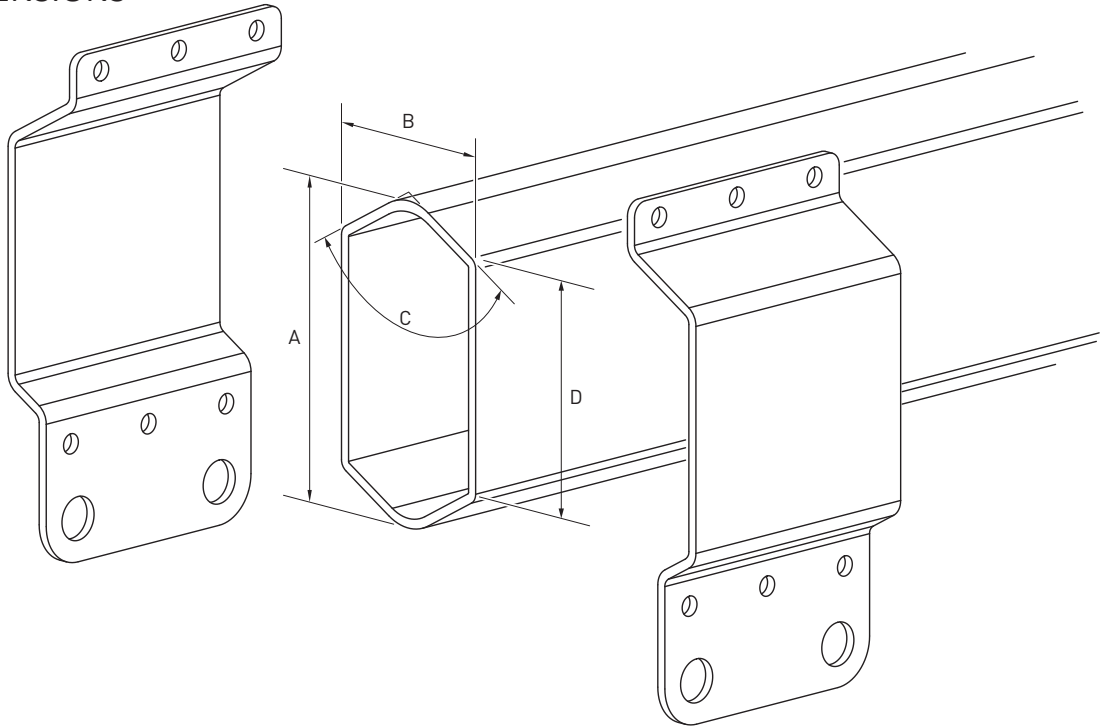
SECTION 2

ROPE WIND HITCH ATTACHMENT



Boom Extension Number (extension 1 nearest truck) :	
--	--

BOOM DIMENSIONS

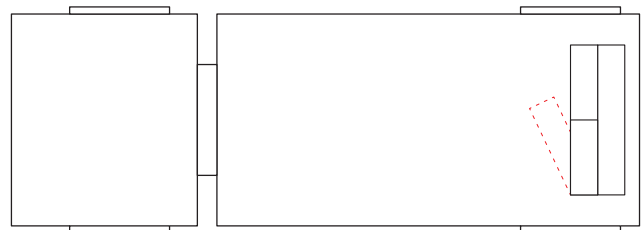
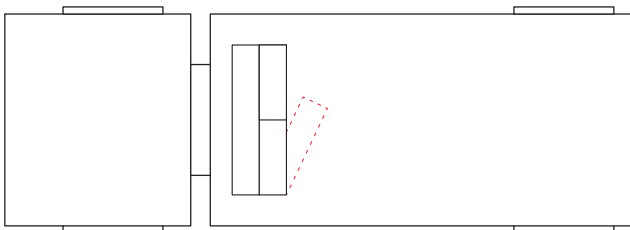


A - Boom Height:		B - Boom Width:	
C - Angle:		D - Height:	

SECTION 3

CRANE STOWED POSITION (*put cross in relevant space*)

Behind Cab:		Back of Truck:	
--------------------	--	-----------------------	--



HITCH OFFSET (*put cross in relevant space*)

1		3	
2		4	

